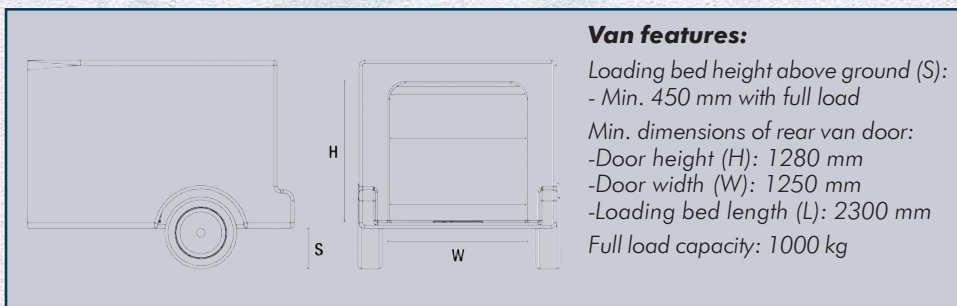
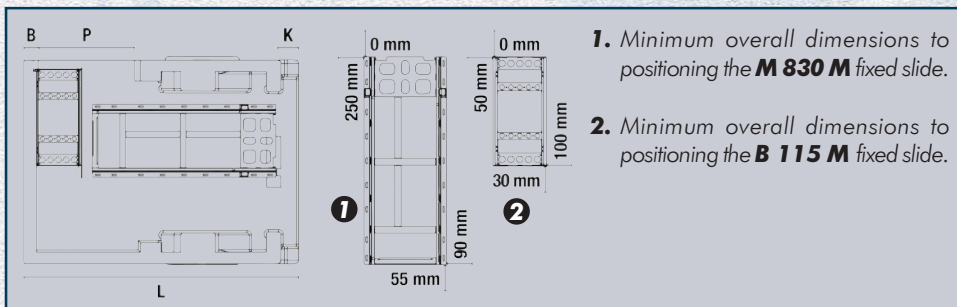
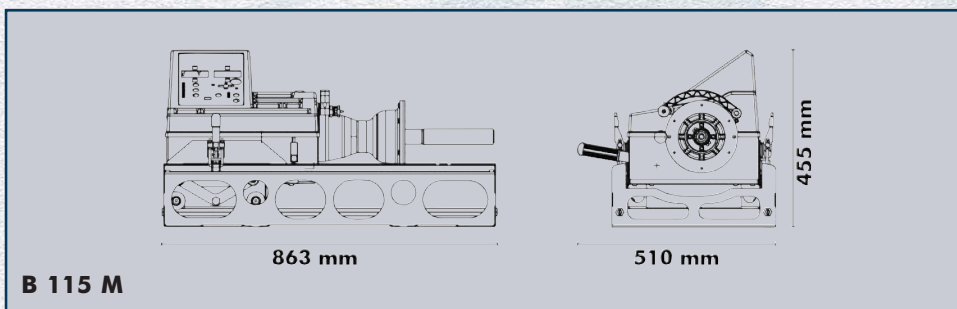
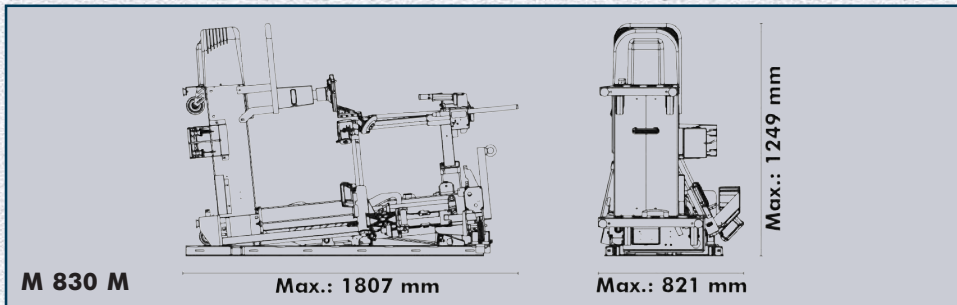


Technical features - Dimensions



TEST AND GARAGE EQUIPMENT



MOBILE

SERVICE



MOBILE SERVICE

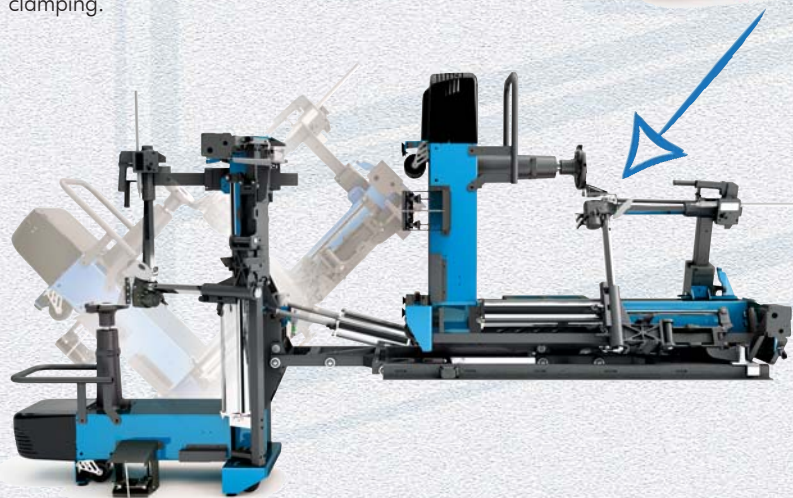


M 830 M

Universal super-automatic tyre changer for rims up to 30", ideal for car, SUV and commercial vehicle wheels; enables the user to mount and demount any type of tyre currently available on the international markets, from standard to sport tyres, from low profile tyres to special **UHP** and **"run flat"** ones.

The same working movements in the demounting procedure, but absolutely no effort is required from the operator thanks to the **"LEVER-LESS" technology** incorporated in the tools head.

Mounting and demounting operations benefit from the simple traditional procedure complemented by innovative solutions such as the bead breaker disk and spindle wheel clamping.



B 115 M

Electronic microprocessor wheel balancer for wheels up to 65 kg.

Double display control panel and keypad with reduced number of keys for an intuitive use of all available functions.

"SLIDE" function for minimised space usage.

The wheel balancer slides in and out on a linear guide to let you work comfortably outside the van. To use, simply pull the machine out from the side door of the van.

Manual movement outside the van.



Many standard and customised van configurations to meet every need.



NEXION S.p.A. - Italy - Società unipersonale soggetta a direzione e coordinamento di Minio s.r.l. -

A sole shareholder Minio company -

www.hpa-faip.it - info@hpa-faip.it

